

THE KEYSTONE CHAPTER  
of  
The *Falcon* Club of America

Newsletter

Vol. 6, No. 4

July, 1993



DEDICATED TO PRESERVING

THE FALCON AUTOMOBILE

1960 - 1970 1/2

The Keystone Chapter of the Falcon Club of America was formed in 1988 to serve the geographical area consisting of Eastern Pennsylvania, Northern New Jersey and Southern New York.

#### OFFICERS

**PRESIDENT:** Edward Snyder  
818 W. Callowhill Street  
Perkasie, PA 18944  
(215) 257-2422

**VICE PRESIDENT:** Bill Wisser  
12 Magna Drive  
Coplay, PA 18037  
(215) 262-6555

**SECRETARY:** Marin F. Ennis  
1405 Dogwood Drive  
West Lawn, PA 19609  
(215) 678-2997

**TREASURER:** Linda Wisser  
12 Magna Drive  
Coplay, PA 18037  
(215) 262-6555

**EDITOR:** Frank Servas, Jr.  
P. O. Box 850  
Floral Park, NY 11002  
(718) 343-2769

**DUES** are \$5.00 annually. Memberships expire with the Macungie meet in August. The Keystone Chapter Newsletter will be published with information from and for its members in the months of January, April, June, July, August and October. All items to be published should be sent to the editor.

## PRESIDENT'S MESSAGE:

The weather for our Grantville meet was just beautiful. The picnic grove location along the lake was a real nice setting with all the Falcons in the parking area, right alongside us. The grill was set up by Bruce and Pam Wolfe. Everyone had a great time and ate plenty of food. Thank you Bruce and Pam. Thanks also to Anspach Auto for sponsoring the Grove for a picnic and Falcon get-together.

After eating, we had a general meeting going over our coming events. After all was over, we cruised the area and then went to Bruce and Pam's house for ice cream. It was a GREAT DAY!

See you at Bethlehem Ford July 17th for our next meet. The club will supply the hot dogs and refreshments.

Ed Snyder, President

## VICE-PRESIDENT'S MESSAGE:

The annual chapter picnic at Grantville was very nice with plenty of good food, people and Falcon talk. A special thanks to Bruce and Pam Wolfe for all their hard work in putting the picnic together.

Our next meet will be at Bethlehem Ford on Saturday July 17th from 9:00 a.m. to 3:00 p.m. (See map in newsletter.) Anyone wishing to may bring a breakfast cake or buns to go with the morning coffee. The chapter will supply lunch of hot dogs and soda. I hope to see you there.

Bill Wisser, Vice-President

**TREASURER'S REPORT:**

As of 6/26/93, the chapter has 1 new member and 1 reinstatement, giving a total of 113 paid members.

Balance on hand (5/22/93) \$731.40

**Income:**

New member	5.00
Reinstatement	5.00
Renewals	25.00
Donation	5.00
50/50 Raffle	20.00
Chapter Store Items	15.00
	-----
	75.00

**Expenses:**

June newsletter	35.84
Grantville Picnic	97.54
	-----
	133.38

Balance on hand (6/26/93) \$673.02

Linda Wisser, Treasurer

**50/50 RAFFLE WINNERS:**

\$10 Glenn Kuhn  
\$5 Linda Wisser  
\$5 George Hetrick

**1993 NATIONAL MEET:**

Are any Keystone members planning to attend the 1993 National? Glenn Kuhn would like to caravan to Knoxville, TN. Leave Chambersburg PA at 7:00 a.m. on Tuesday. The 482 mile trip should take about 10 hours. Speak to Glenn (717) 352-2544 if interested.

EDITOR'S MESSAGE:

Planning continues for both our Regional meet this year, and also the National convention sponsored by our chapter to be held in 1994.

In the January 1993 newsletter, we mentioned that a possible revision in voting techniques may be attempted this year. With our current system of popular voting, each registered car receives two ballots (one with ladies choice). Each ballot provides an opportunity for a vote for one car in each class. It is felt that with the number of classes to be used in the National, this method would be too time consuming for each registrant.

As a consequence, a method used by the Northeast chapter with good results in the past has been suggested. With this method, each registered car would still receive two ballots, but instead of voting for all classes, each ballot would contain spaces to vote for 1st, 2nd and 3rd place in three different classes. The three classes would vary from ballot to ballot, and the votes would be uniformly distributed among all classes.

With each ballot voting for only three classes, less time would be consumed by each person for voting. The tally for each car would be weighted according to the 1st, 2nd and 3rd place votes, and this will result in a fairer distribution of awards.

The committee has seen sample results using this technique, and is planning to try it at this fall's regional meet to determine whether to use it at the National.

Frank Servas, Editor

## **KEYSTONE CHAPTER NEWS:**

Saturday, July 17. Meet at Bethlehem Ford, 2135 Union Boulevard, Bethlehem, PA from 9:00 a.m. to 3:00 p.m. Take Route 22 to Route 987 (Airport Road) South to Union Boulevard. Turn left on Union Blvd. Continue for 2 miles to Bethlehem Ford on the right. Hot dogs and soda will be furnished by the chapter.

Sunday, August 8. Meet in conjunction with the Macungie (PA) Show. Pre-registration only. Election of officers will take place at this meet. Memberships expire with this meet, and dues for the following year can be paid at this time. If you pre-registered last year, you should receive an application in the mail. Be sure to use the SUNDAY show application. An application is also included in this newsletter. Applications must be returned directly to the show chairman.

Friday - Saturday, September 3-4. Fifth Annual Regional Meet in Valley Forge, PA. Ten Falcon classes. Many other details are included in this newsletter.

Saturday, October 16. Fall Foliage meet at Shickshinny, PA. The chapter will supply hamburgers, hot dogs, rolls and beverages. Bring a covered dish or dessert to share.

## **OTHER EVENTS OF INTEREST:**

Sunday, August 15th. Collector Car Show and Flea Market at Coopersburg, PA. (Route 309 Saucon Valley Living Memorial Park) Two Falcon classes (60-64, 65-70), 4 trophies per class. Pre-registration \$6. Application included in this newsletter.

Sunday, September 19th. Car Show & Swap Meet at Duncannon, PA. Falcon class. Pre-registration \$8. For Info, call Dennis Frank (717) 957-2424.

# FIFTH ANNUAL EASTERN REGIONAL MEET

## REGIONAL CLASSES

- #1 60-63 Sedan
- #2 64-65 Sedan
- #3 66 up Sedan
- #4 63 Convertible
- #5 64-65 Convertible
- #6 63 Hardtop
- #7 64-65 Hardtop
- #8 Utility
- #9 Modified
- #0 Diamond in the Rough

The committee reserves the right to combine or divide classes, if necessary. Trophies will be awarded in each class #1 to #9, as well as for Ladies choice, and best of show. Plaques will be awarded in class #0, for longest distance, and oldest Falcon. Awards will be determined by popular vote, which begins at 11:00 a.m. Ballots must be turned in by 1:00 p.m. for counting.

The Diamond in the Rough class is meant for restorable vehicles, which are registered and driven to the meet. Voters should select the "roughest", which we hope to see restored at some meet in the future.

## MODELS

(Standard), Deluxe, Futura, Sprint

## BODY STYLES

Sedan, Hardtop, Convertible, Station Wagon,  
Ranchero, Sedan Delivery, Club Coupe,  
Sports Coupe, Extra Duty Wagon



The *Falcon* Club of America  
FIFTH ANNUAL EASTERN REGIONAL MEET

Valley Forge, Pennsylvania  
September 3-4, 1993

SHOW REGISTRATION & BANQUET RESERVATION FORM

Name \_\_\_\_\_ Spouse/Guest \_\_\_\_\_

Address \_\_\_\_\_

City \_\_\_\_\_ State \_\_\_\_\_ Zip \_\_\_\_\_

Phone # (\_\_\_\_) \_\_\_\_\_ FCA # \_\_\_\_\_ Local Chapter \_\_\_\_\_

**Falcons:**

Car #1: Year \_\_\_\_\_ Model \_\_\_\_\_ Body Style \_\_\_\_\_

Number of Doors \_\_\_\_\_ Color \_\_\_\_\_ Class \_\_\_\_\_

Car #2: Year \_\_\_\_\_ Model \_\_\_\_\_ Body Style \_\_\_\_\_

Number of Doors \_\_\_\_\_ Color \_\_\_\_\_ Class \_\_\_\_\_

Registration: Without Car: \$8 \_\_\_\_\_

With Car: \$18 per car (after August 13)  
\$13 per car (before August 13) \_\_\_\_\_

Swap Space: \$18 (after August 13)  
\$13 (before August 13) \_\_\_\_\_

Pasta Party: Friday, September 3:  
Hot Pastas \$5.25 per person (# \_\_\_\_\_) \_\_\_\_\_

Banquet: Saturday, September 4:  
Buffet \$25 per person (# \_\_\_\_\_) \_\_\_\_\_  
(Includes Tax & Gratuity)

Total (Registrations, Pasta and Banquet) \_\_\_\_\_

Show & Banquet at:

Stouffer Valley Forge Hotel  
480 North Gulph Road  
King of Prussia, PA 19406  
(215) 337-1800

Send this form with remittance  
(Payable to Keystone Chapter)

to: Linda Wisser  
12 Magna Drive  
Coplay, PA 18037  
(215) 262-6555





The *Falcon* Club of America  
 FIFTH ANNUAL EASTERN REGIONAL MEET

Valley Forge, Pennsylvania  
 September 3-4, 1993

HOTEL RESERVATION FORM

Name \_\_\_\_\_ Phone # (\_\_\_\_) \_\_\_\_\_

Address \_\_\_\_\_

City \_\_\_\_\_ State \_\_\_\_\_ Zip \_\_\_\_\_

Accommodations: Room with king or queen size bed: \$69 \_\_\_\_\_ \*

Room with two queen size beds: \$69 \_\_\_\_\_ \*

Arrival Date \_\_\_\_\_ Credit Card \_\_\_\_\_

Departure Date \_\_\_\_\_ (1 p.m.) No. \_\_\_\_\_

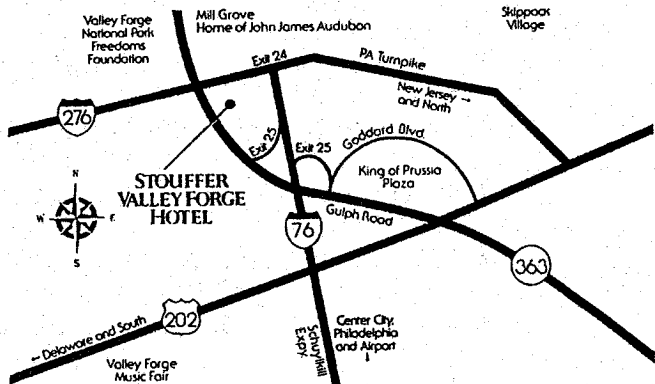
mail to: \_\_\_\_\_ Expiration Date \_\_\_\_\_

Stouffer Valley Forge Hotel 480 North Gulph Road King of Prussia, PA 19406 (215) 337-1800

Signature \_\_\_\_\_

Be sure to mention the Falcon Club when phoning.

\* DEADLINE August 13 for reservations. After August 13, rate will depend on space availability. Reserve room with credit card, or one night's deposit.



**FIFTH ANNUAL EASTERN REGIONAL MEET**

**HOT PASTA PARTY**

Friday, September 3

7:00 - 9:00 p.m.

2 Hot Pastas  
Sauces, Cheeses & Italian Bread  
Cash Beverages

**BANQUET MENU**

Saturday, September 4

6:30 p.m.

Awards Presentation 8:00 p.m.

Mixed Garden Greens with  
Selection of 2 Dressings

Fresh Fruit Salad

Pasta Primavera Salad

Sliced Turkey with Gravy

Sliced Pork Loin with Gravy

Flounder with Lemon Butter Sauce

Roasted Redskin Potatoes

Selection of Fresh Seasonal Vegetables

Chef's Choice of Desserts & Pastries

Coffee, Tea, Decaffeinated Coffee

**NEW MEMBER:**

Alan Deger  
105 Seven Corner Road  
Perkasie PA 18944

**TECHNICAL TIPS:**

Send your advice to the editor.

**TECHNICAL HELP WANTED:**

Send your questions to the editor.

**CARS FOR SALE:**

Send your ads to the editor.  
(include full description- year,  
body style, 2 or 4 door, color,  
engine, tranny, price, etc.)

**CARS WANTED:**

**PARTS FOR SALE:**

Used 1964-65 plain jane right side fender.  
No dents or rust through \$30. Used 1965  
convertible left side door. Some rust on  
lower inside corners, otherwise sound \$30.  
Repro 1965 C4 column mount shift indicator,  
new in bag \$10. Used 1966 Falcon owners  
Manual \$5. Marin Ennis, 1405 Dogwood Drive,  
West Lawn PA 19609 (215) 678-2997.

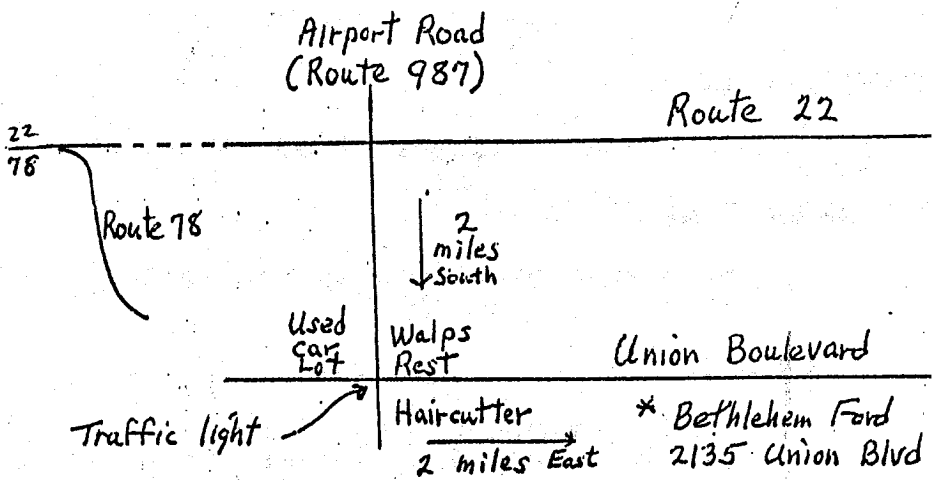
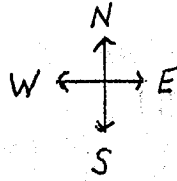
Send your ads to the editor.  
(Please indicate a price for  
each item offered.)

**PARTS WANTED:**

**SERVICES RECOMMENDED:**

AREA MAP:

BETHLEHEM FORD  
BETHLEHEM, PA



SECRETARY'S REPORT:

The meet in Grantville was another success as Bruce and Pam did another great job preparing not only the picnic and arranging the pavilion rental, but the ice cream party that capped the day's activities. The Wolfes put considerable work in preparing the day, and we appreciate the effort every time we're up their way.

Also, a belated "thank you" to Linda Wisser who put together the party in Perkasio last month that celebrated our fifth Anniversary. It doesn't seem that five years has passed since we started it all and Linda helped bring back quite a few memories with the fine posters she made. Let's all work together to make our next five years an exciting time for your chapter.

Marin Ennis, Secretary

## 281 OBJECTIONABLE PROTRUSION OF THE REAR DOOR TRIM PANEL UPPER RETAINER

(1965 Falcon, 4-Door Models)

The rear door trim panel upper retainer may protrude beyond the rear edge of the door, resulting in possible clothing damage when entering or leaving the vehicle.

This problem was corrected on December 16, 1964 by adding four new attaching holes to the door inner panel. This relocates the door trim panel upper retainer forward and prevents the retainer from extending beyond the trim panel. (See Fig. 3.)

Units in the field can be corrected as follows:

Remove the rear door trim panel. Carefully peel back the water shield. Then remove the upper door trim panel retainer.

Relocate and drill (4) four new retainer attaching holes as shown in Fig. 3.

Revise the existing notch just forward of the third slot on the upper retainer as shown in Fig. 3 to prevent interference with the lock control rod link.

Seal the original (4) holes with tape or body sealer, AB-19560-A.

Position the upper retainer so that it does not protrude beyond the edge of the door, then install the 4 screws. Install the door trim panel and interior hardware.

### WARRANTY STATUS

Oper.: SP-23942-E-65

Time: One Side - 0.5 hrs.

Both Sides - 0.8 hrs.

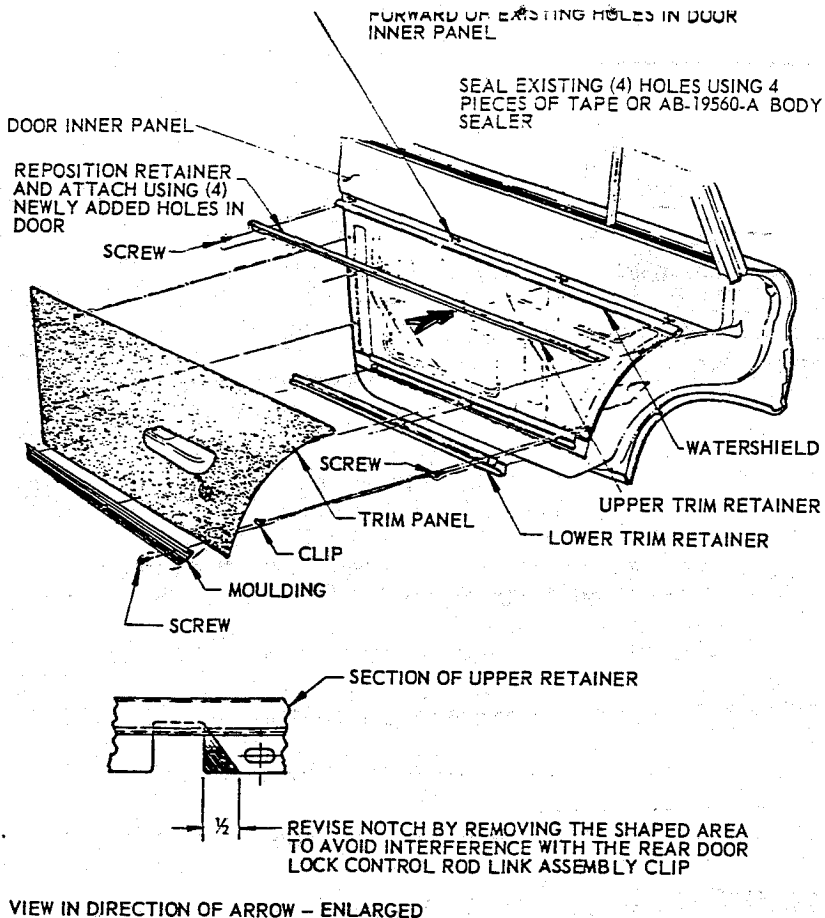


Fig. 3 - Objectionable Protrusion of the Rear Door Trim Panel Upper Retainer - 1965 Falcon - All 4-Door Models - (Article 281)

Sunday Show  
August 8, 1993  
Macungie, PA  
route 100

**SUNDAY PRE-REGISTRATION FORM ONLY**  
**POST MARK DEADLINE JULY 17, 1993**  
**NEED NOT BE A CLUB MEMBER**  
(TYPE OR BLOCK PRINT, PLEASE)

send to:  
Das Awkscht Fescht  
Box 127  
Macungie, PA 18062

NAME ..... MAKE .....

STREET ..... MODEL .....

TOWN ..... BODY STYLE .....

STATE ..... ZIP ..... YEAR .....

CLASS NUMBER ..... **25** .....  
Swimming Available Sunday Pre-Registration \$8.00 per car .....  
No Refunds Checks payable to: Das Awkscht Fescht

**WHICH MARQUE ARE YOU ENTERING - BY NUMBER**  
CHECK BACK PAGE FOR INFORMATION

- |                         |                                   |                       |
|-------------------------|-----------------------------------|-----------------------|
| 1 - Chrysler Products   | 10 - Early Ford V-8               | 19 - Hudson           |
| 2 - Vintage Chevrolet's | 11 - Model A Ford                 | 20 - Dodge & Graham   |
| 3 - Pontiac & Oakland   | 12 - Thunderbirds                 | 21 - Edsel            |
| 4 - Corvette's          | 13 - Willys                       | 22 - Checker          |
| 5 - Studebaker & Avanti | 14 - Nash & Rambler               | 23 - Nat. Woodie Club |
| 6 - Corvairs            | 15 - Auburn, Cord, Dusenberg      | 24 - Oldsmobile       |
| 7 - Metropolitan's      | 16 - Shelby Mustang               | 25 - Ford Falcon      |
| 8 - Buick's             | 17 - Chev. Nomads, Pontiac Safari | 26 - Kaiser & Frazer  |
| 9 - Cadillac & LaSalle  | 18 - Franklin                     |                       |

**No Street Rods**  
**No Street Machines (Custom or Modified)**  
**No Day Of Show Registration**  
**Limited to 1300 Entries**  
**Cars Must Be On Showfield**  
**To Receive Participation Award**

ADDRESS CHANGE



The First Pennsylvania Mustang Club &  
The 17th Annual Coopersburg Summer Fest



INVITE YOU TO JOIN THEM AT A

# Collector Car Show & Flea Market

Sunday, August 15, 1993 - 10 am - 4 pm

Saucon Valley Living Memorial Park, Route 309, Coopersburg, PA

*(Donation at gate for spectators only, to benefit The Park)*

Rain or Shine • Registration 8:00-12:00 • Awards given out at approximately 4:00 pm

22. Falcon 1960-1964

23. Falcon 1965-1970

**Dash Plaques (FIRST 600) • 4 Trophies For All Classes**  
Committee reserves the right to combine or eliminate classes

### JUDGED OWNERS CHOICE

**Collector Car Show Registration - \$6.00 Pre-Registered by Wednesday, August 11th. • \$10.00 Day of Show**  
*For show information contact: Ed Ziobro, 15 Princeton Court, Easton, PA 18042 (215) 559-7264 after 6pm*

### CAR REGISTRATION FORM

Name \_\_\_\_\_ Phone Number \_\_\_\_\_

Address \_\_\_\_\_ City \_\_\_\_\_ State \_\_\_\_\_ Zip \_\_\_\_\_

YEAR OF CAR \_\_\_\_\_ MAKE OF CAR \_\_\_\_\_ MODEL OF CAR \_\_\_\_\_

CLASS \_\_\_\_\_ CLUB AFFILIATION Keystone Chapter, The Falcon Club of America

Make checks payable to: 1st PA Mustang Club

Mail to: Ed Ziobro, 15 Princeton Court, Easton, PA 18042

---

Glenn Kuhn and Barbara Sellers	Fayetteville, PA	65 yellow Futura conv
Harold Krause	Macungie, PA	63 burgundy Futura conv
Marin Ennis	West Lawn, PA	65 white Futura hardtop
Ed & Nancy Snyder	Perkasie, PA	64 white 4 door wagon
Bill & Linda Wisser	Coplay, PA	65 blue Futura hardtop
Bruce & Pam Wolfe	Grantville, PA	68 blue 4 dr Futura sedan
Frank & Ginny Servas	Floral Park, NY	65 white 4 dr Futura sedan
Richard Hostetter and Paula Seibert	Campbelltown, PA	63 red Futura conv
John & Anna Myers	Mt Joy, PA	64 blue Sprint conv
George Hetrick	Womelsdorf, PA	65 black Ranchero
Chet & Becky Wisneski	Shickshinny, PA	67 red Mustang hardtop
Bruce & Joan Kichline	Hellertown, PA	93 F 250 Super Cab 4x4
Herbert & Patricia Engle	Gratz, PA	

**LAST MINUTE NEWS FLASH:**

THE NATIONAL CONVENTION PLANNED FOR 1994 AT VALLEY FORGE,  
PENNSYLVANIA HAS BEEN RESCHEDULED FOR JULY 21, 22 AND 23rd.  
This was done at the request of the National FCA since many  
Southern schools resume at the beginning of August.